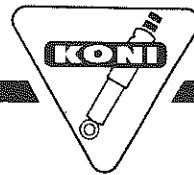
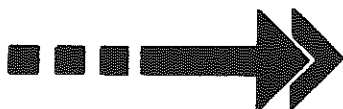
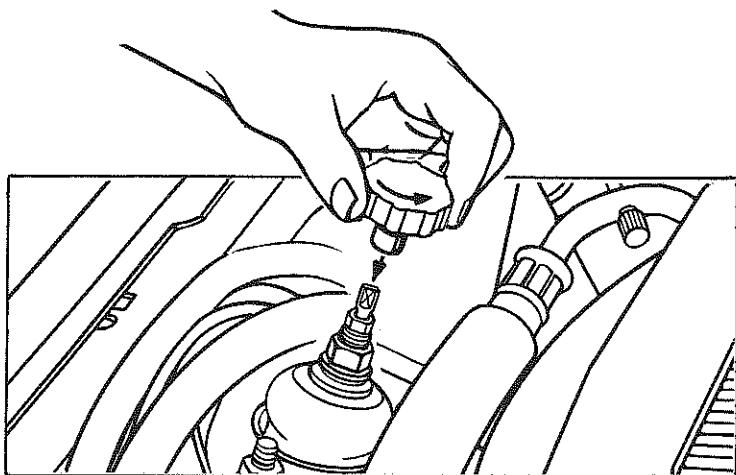
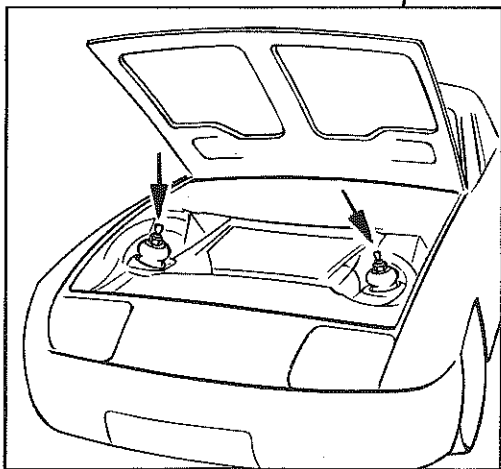
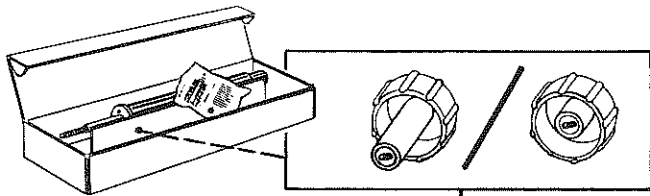
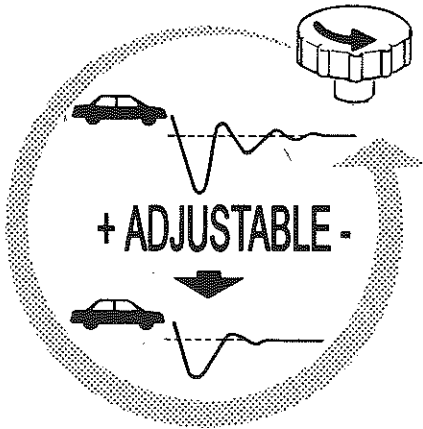


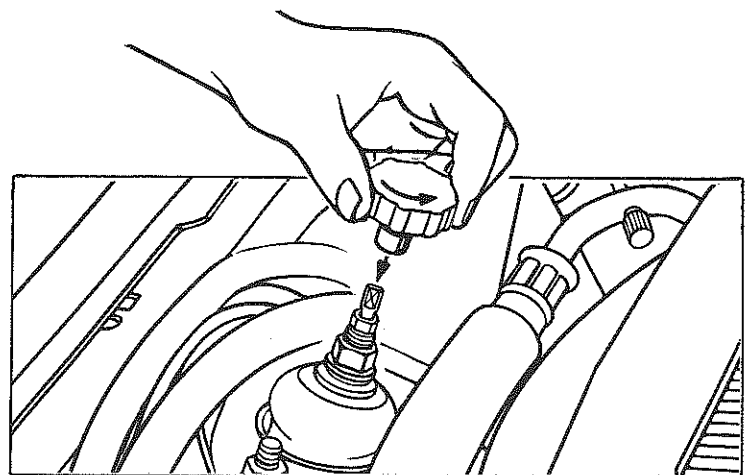
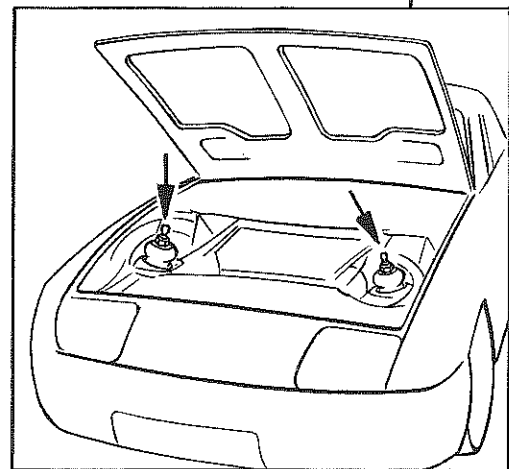
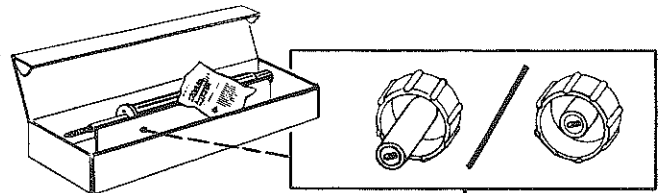
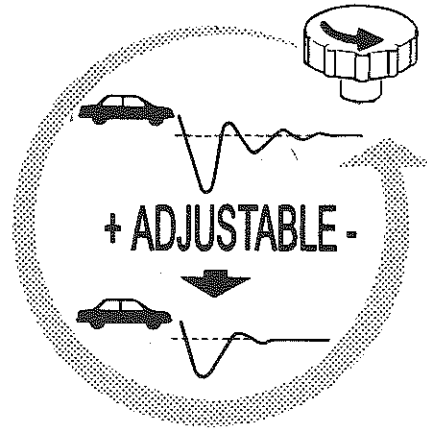
instruction

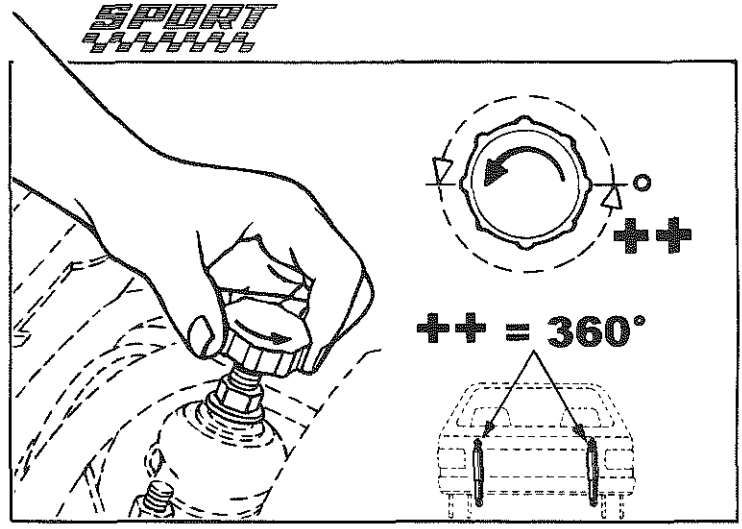
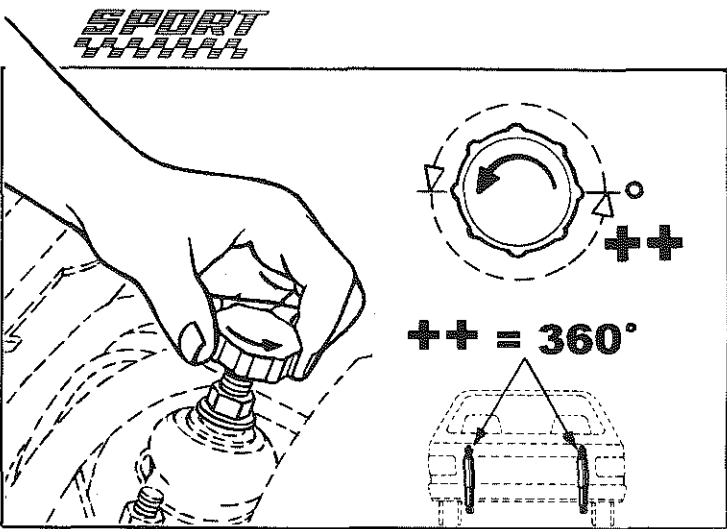
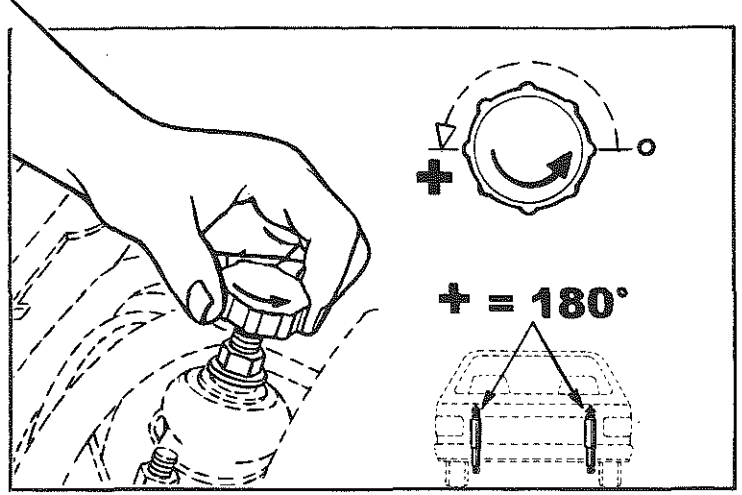
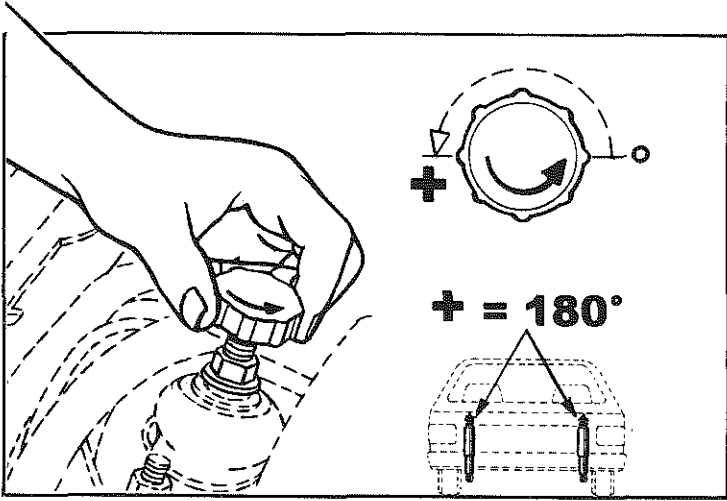
1027 05 13 42
211/2



instruction

1027 05 13 42
211/2





++++ = MAX. 720°

++++ = MAX. 720°

